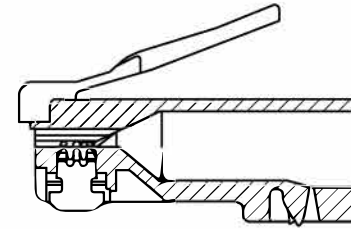
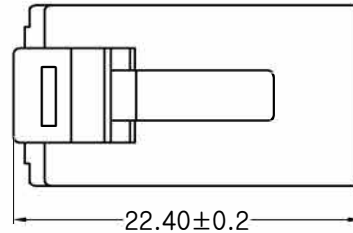


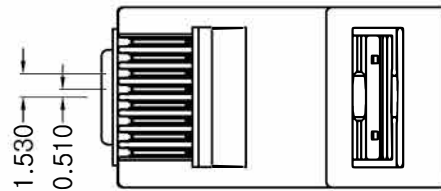
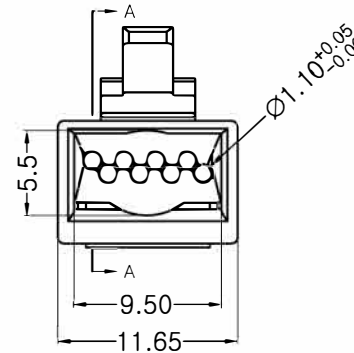
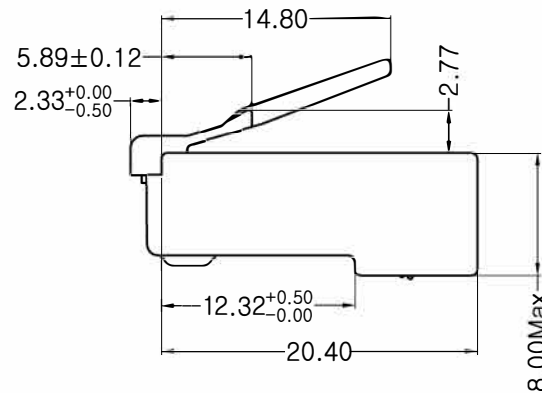
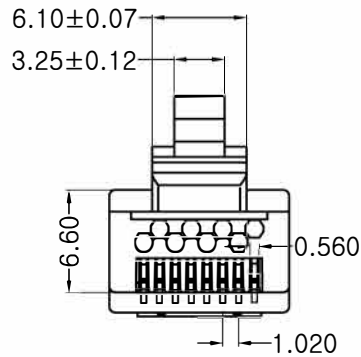
NOTE:ALL MATERIAL COMPLIANT ROHS STANDARD

REVISION INFORMATION

Rev.	Rev. Date	Modified By	Brief Description



SECTION A-A



NOTES:

- 1.Operation Temperature:-40°C~+85°C.
- 2.Electrical Characteristics:
  - 2.1>Rated Current:125V AC,1.5A@25°C.
  - 2.2>Contact Resistance:20mΩ Max.
  - 2.3>Insulation Resistance:500MΩ Min,100V DC/min.
  - 2.4>Voltage Proof: 1000V AC/1 minute no breakdown.
- 3.Mechanical Characteristics:
  - 3.1>Insertion Force & Withdrawal Force:30N Max.
  - 3.2>Durability:750 cycles Min.
- 4.Environmental compliance:
  - 4.1>the products are compliant with the RoHS, and REACH etc.
- 5.CONDUCTOR:STRANDED&SOLID WIRE,23AWG,24AWG.  
(It can be used for the wire OD fromØ1.00~Ø1.10mm.)

**LANshack**  
Sales@LANshack.com | 888-568-1230

1	Modular Plug	Contacts	8PCS	/	2Prongs <input type="checkbox"/> 3Prongs <input checked="" type="checkbox"/>	G/F" <input type="checkbox"/> 1u" <input type="checkbox"/> 3u" <input type="checkbox"/> 6u" <input type="checkbox"/> 15u" <input type="checkbox"/> 30u" <input type="checkbox"/> 50u" <input checked="" type="checkbox"/> OTHER <input type="checkbox"/>	Brass <input checked="" type="checkbox"/> Phosphor copper <input type="checkbox"/>	DIMENSIONAL TOLERANCE X.X ±0.20 X.XX ±0.10 X.XXX ±0.05 ANGLE ±2°
		Housing	1PCS	20*2151**	Cat.6/UTP HOUSING/LONG BODY/4up and 4Down	94V-2 <input checked="" type="checkbox"/> 94V-0 <input type="checkbox"/>		
NO	NAME	QTY	PART NO.	DESCRIPTION	MATERIAL			

DRAWN BY	DATE 2020.06.16	DESCRIPTION: Cat 6A UTP Feed Through RJ45 Modular Plugs - Bag of 100		
CHECKED BY	SHEET 1 of 3	ITEM NO: C6A-UTP-FMP-100		
APPROVED BY	SCALE 1:1	REV:00	UNIT:mm	